

BRASS VALVES



*Dedicated to
Performance.....*





**MV
101**

BRASS BALL VALVE

Salient Features :

- Screwed female ends
- Full bore, Two piece design
- Quarter turn, Lever operated
- Suitable for Water, Gas, Steam and Oil
- Working Temperature: -10° C to 100° C +
- Forged Brass Body
- Available in two finishes: Nickel-polish and Brass-polish
- BSP Thread

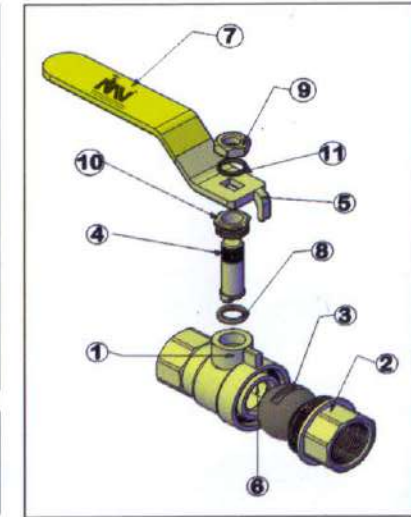


Specification :

S.No.	Description	Material
1	Body	CW617N Brass
2	Cap	CW617N Brass
3	Ball	Chrome Plated Brass
4	Stem	Brass
5	Handle	MS – pickled to prevent corrosion
6	Ball Seat	PTFE
7	Handle Sleeve	PVC
8	Stem Seat	PTFE
9	Nut	Brass
10	Counter Nut	Brass
11	Washer	SS

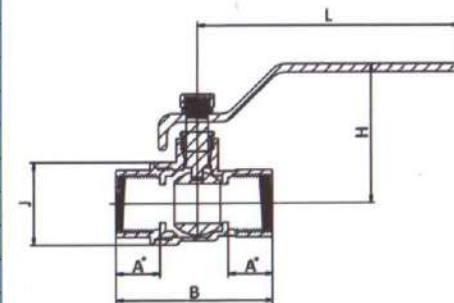
Chemical Composition of Brass Valves

	Cu	Pb	Ni	Sn	Fe	Al	Zn
CW617N Standard	Min. % 57.0	1.6	0.0	0.0	0.0	0.0	Bal.
	Max. % 59.0	2.5	0.3	0.3	0.3	0.05	Bal.

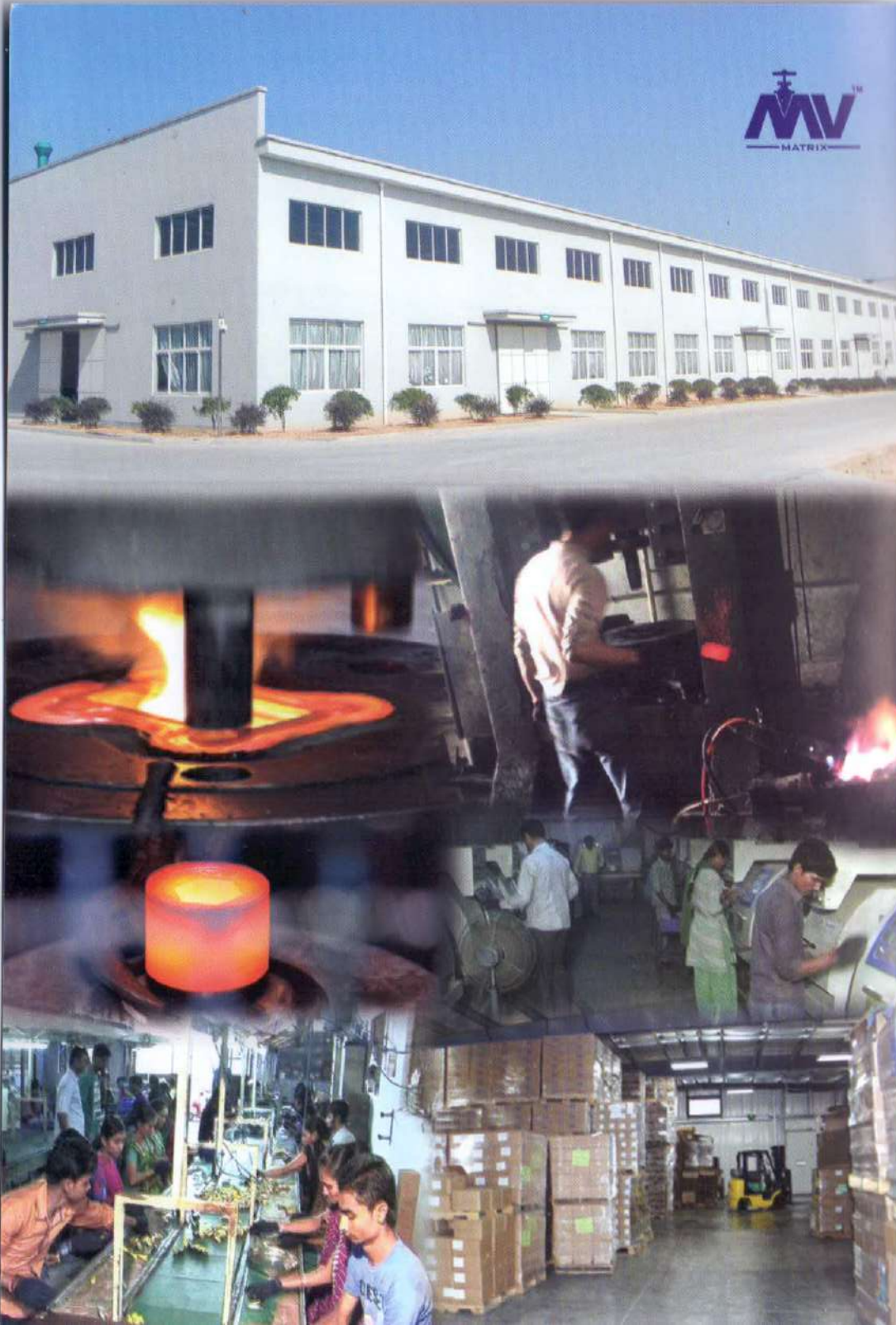


Dimensions:- (All Dimension are in mm)

SIZE	DN	A	B	H	L	J	PN
1/4"	8	13.5	48.5	38.0	66.5	Ø23.0	30
3/8"	10	12.0	45.5	39.0	63.5	Ø25.5	30
1/2"	15	16.0	57.0	54.5	97.0	Ø29.6	40
3/4"	20	13.0	58.0	58.5	97.0	Ø37.0	40
1"	25	16.0	69.5	57.0	118.0	Ø43.5	40
1-1/4"	32	15.5	75.0	72.0	127.0	Ø54.5	40
1-1/2"	40	17.0	88.0	77.0	127.0	Ø66.8	40
2"	50	17.0	100.5	92.0	151.0	Ø82.7	50
2-1/2"	65	23.0	125.5	113.0	244.0	Ø95.0	25
3"	80	26.0	138.5	115.5	244.0	Ø107.5	25
4"	100	27.5	165.0	135.5	244.0	Ø144.0	25



* Thread Length



MV 101

BRASS BALL VALVE

A. NICKEL POLISH



Size Range from:
1/4" (8 mm) to
4" (100 mm)

B. BRASS POLISH



Size Range from:
1/2" (15 mm) to
2" (50 mm)

MV 106

BALL VALVE WITH BUTTERFLY HANDLE



Size Range from:
1/4" (8 mm) to
1" (25 mm)

MV 102

GAS VALVE

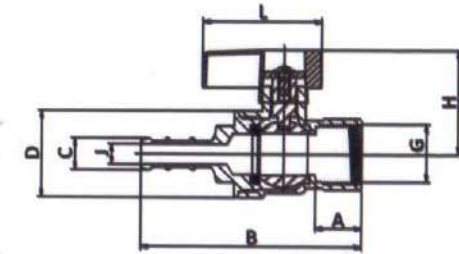
Salient Features :

- Screwed female ends to BSP
- Knob operated
- Easy to Install
- Forged Brass Body, Brass Nozzle

Size Range from:
1/4" (8 mm) to
1/2" (15 mm)



A. Female Threaded



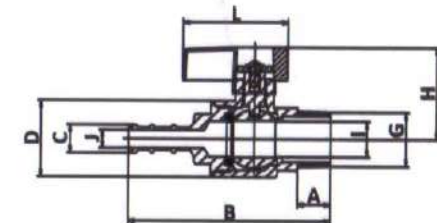
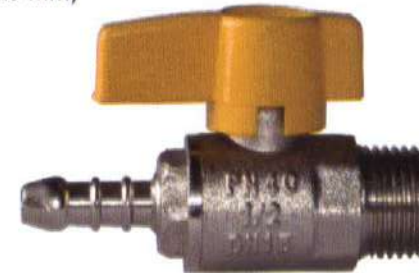
Dimensions:-

(All Dimension are in mm)

SIZE	DN	A	B	G	H	L	J	C	D
1/4"	8	14.0	70.0	1/4"	37.0	50.0	Ø5.5	10.0	Ø24.0
3/8"	10	12.0	70.0	3/8"	37.0	50.0	Ø5.5	10.0	Ø24.0
1/2"	15	14.0	70.0	1/2"	37.0	50.0	Ø5.5	10.0	Ø25.5

Size Range :
1/2" (15 mm)

B. Male Threaded



Dimensions:-

(All Dimension are in mm)

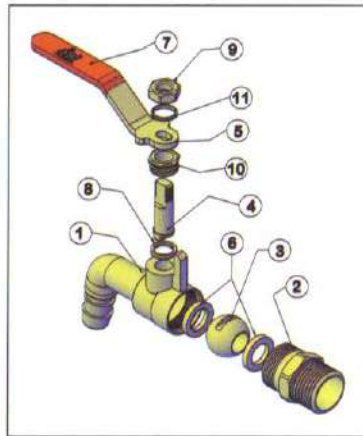
SIZE	DN	A	B	G	H	L	J	C	D
1/2"	15	13.5	76.0	1/2"	37.0	50.0	Ø5.5	10.0	Ø25.5

**MV
100****BRASS BIB COCK
(2-PC, BRASS POLISH)****Salient Features :**

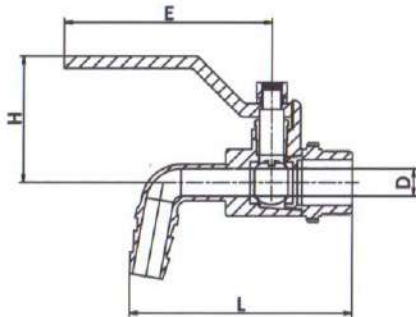
- Screwed male end
- Two piece design
- Easy to Install
- Forged Brass Body
- BSP Thread

**Specification :**

S.No.	Description	Material
1	Body	CW617N Brass
2	Cap	CW617N Brass
3	Ball	Chrome Plated Brass
4	Stem	Brass
5	Handle	MS – pickled to prevent corrosion
6	Ball Seat	PTFE
7	Handle Sleeve	PVC
8	Stem Seat	PTFE
9	Nut	Brass
10	Counter Nut	Brass
11	Washer	SS



Size Range :
½" (15 mm)



Dimensions:-

(All Dimension are in mm)

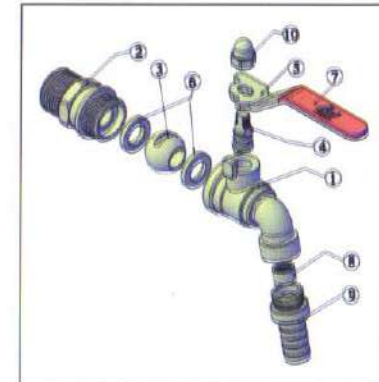
SIZE	DN	L	H	E	D
1/2"	15	66	41.6	70	Ø9

**MV
103****BRASS BIB COCK
(3-PC, NICKEL POLISH)****Salient Features :**

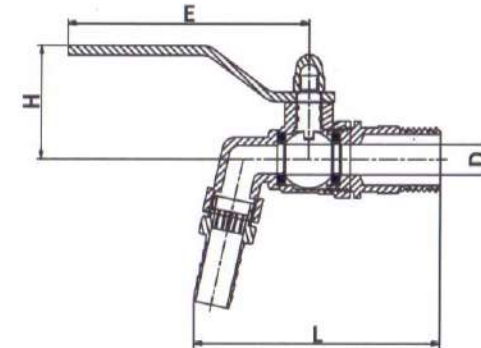
- Screwed male end
- Three piece design
- Easy to Install
- Forged Brass Body
- Quarter turn, BSP Thread

**Specification :**

S.No.	Description	Material
1	Body	CW617N Brass
2	Cap	CW617N Brass
3	Ball	Chrome Plated Brass
4	Stem	Brass
5	Handle	MS – pickled to prevent corrosion
6	Ball Seat	PTFE
7	Handle Sleeve	PVC
8	Mesh	PVC
9	Nozzle	Brass
10	Counter Nut	Brass



Size Range :
½" (15 mm)



Dimensions:-

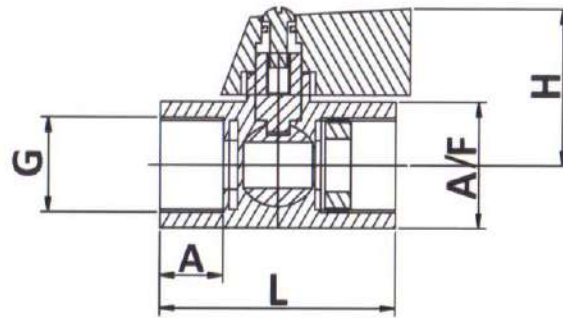
(All Dimension are in mm)

SIZE	DN	L	H	E	D
1/2"	15	75.7	36.4	72.6	Ø10

MV 104

MINI VALVE

A. F/F THREADED

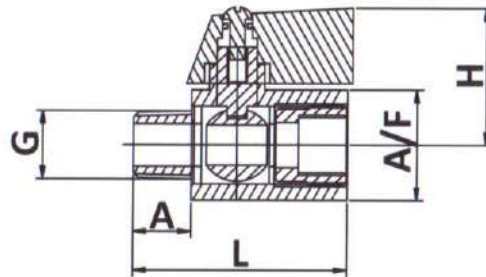


Dimensions:- (All Dimension are in mm)

SIZE	DN	A	A/F	G	H	L
1/4"	8	9.0	19.0	1/4"	28.0	37.0
3/8"	10	11.0	19.5	3/8"	29.0	41.0
1/2"	15	10.5	23.8	1/2"	Ø30.0	43.0

Size Range from:
1/4" (8 mm) to
1/2" (15 mm)

B. M/F THREADED



Dimensions:- (All Dimension are in mm)

SIZE	DN	A	A/F	G	H	L
1/4"	8	12.0	19.0	1/4"	28.0	43.5
3/8"	10	10.0	19.5	3/8"	28.5	43.0
1/2"	15	11.5	23.5	1/2"	31.0	43.5

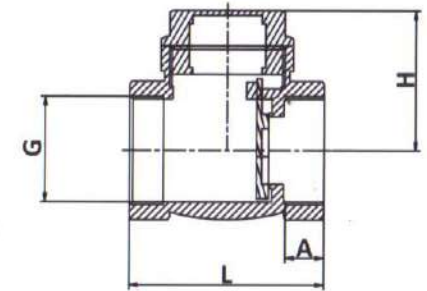
Size Range from:
1/4" (8 mm) to
1/2" (15 mm)

MV 105

BRASS CHECK VALVE (HORIZONTAL)

Salient Features :

- Screwed Female ends
- Permits flow in one direction & shuts automatically if the flow reverses
- Forged Brass Body



Dimensions:- (All Dimension are in mm)

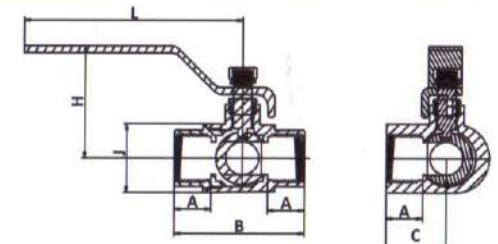
SIZE	DN	A	H	G	L
1/2"	15	12.0	33	1/2"	46.3
3/4"	20	13.5	36.0	3/4"	55.0
1"	25	12.0	43.0	1"	57.5
1-1/4"	32	14.0	49.0	1-1/4"	68.0
1-1/2"	40	16.0	53.0	1-1/2"	78.0
2"	50	14.0	61.5	2"	82.0



Size Range from :
1/2" (15 mm) to
2" (50 mm)

MV 109

THREE-WAY BALL VALVE



Dimensions:- (All Dimension are in mm)

SIZE	DN	A	B	H	L	J	C
1/2"	15	15.0	58.0	49.0	89.0	Ø29.0	29.0
3/4"	20	18.0	68.5	52.0	89.0	Ø36.0	36.0
1"	25	19.0	79.0	65.0	105.0	Ø43.5	40.0

Size Range from :
1/2" (15 mm) to
1" (25 mm)

**MV
107**

BRASS Y - STRAINER

Salient Features :

- Screwed female ends
- Working Temperature: -10°C to 100°C +
- Forged Brass Body
- Pressure Rating: 20 Bar



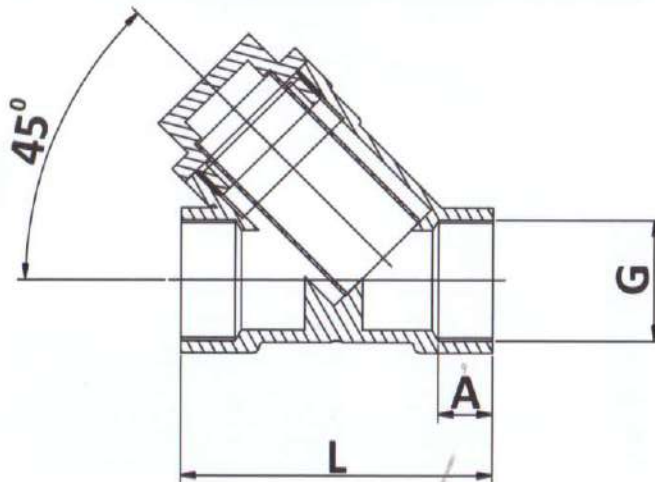
Specification :

S.No.	Description	Material
1	End Adaptor	CW617N Brass
2	Body	CW617N Brass
3	Ring	NBR
4	Strainer	SS-304

Dimensions:- (All Dimension are in mm)

SIZE	DN	A	G	L
1/2"	15	10.0	1/2"	52.0
3/4"	20	13.0	3/4"	65.0
1"	25	14.0	1"	75.0
1.1/4"	32	18.0	1.1/4"	89.5
1.1/2"	40	20.0	1.1/2"	103.5
2"	50	23.0	2"	125.0

Size Range from :
1/2" (15 mm) to
1" (25 mm)



**MV
108**

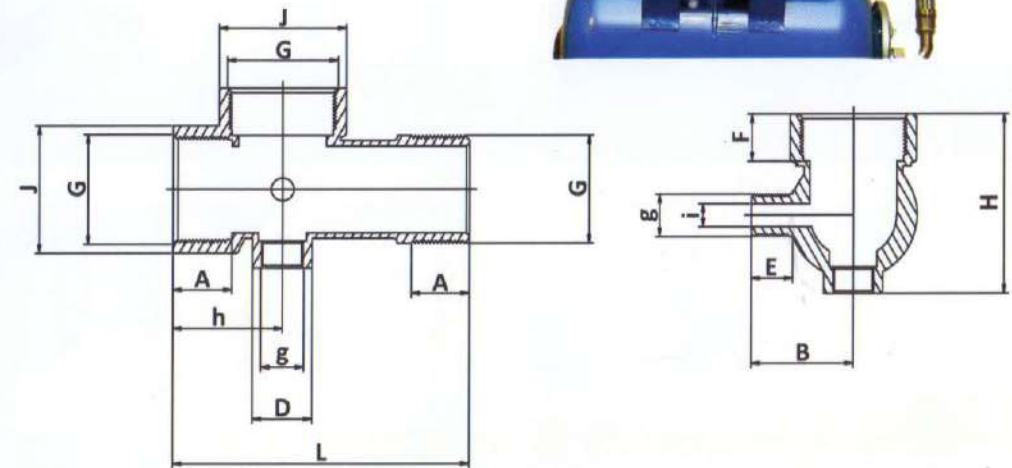
FIVE-WAY TEE

Salient Features :

- Screwed male & female ends
- Single piece design
- Forged Brass Body
- Easy to install
- BSP Thread



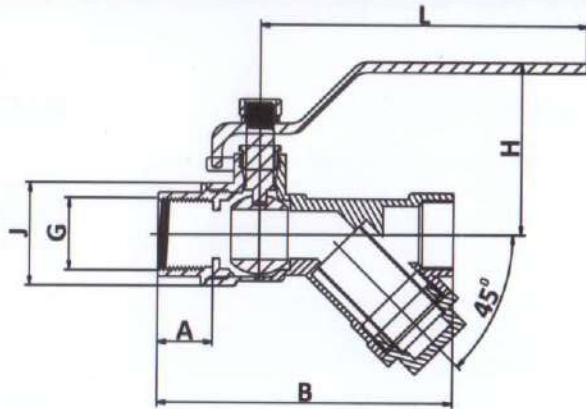
Size Range :
1" (25 mm)



Dimensions:-

(All Dimension are in mm)

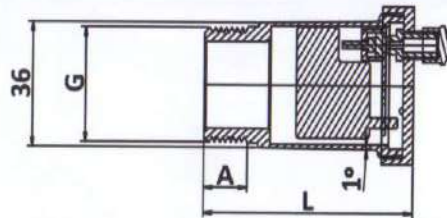
SIZE	DN	A	B	D	E	F	G	g	J	I	H	h	L
1"	25	18.0	31.0	Ø18.0	12.5	14.5	1"	1/4"	Ø39.0	Ø7	55.0	33.25	90.0

**MV
110****BALL VALVE WITH
STRAINER**

Dimensions:- (All Dimension are in mm)

SIZE	DN	A	G	L	B	H	J
1/2"	15	12.5	1/2"	84.5	74.5	48.0	28.4
3/4"	20	13.5	3/4"	84.5	87.0	48.0	33.0
1"	25	14.0	1"	105.0	102.5	60.0	40.0

Size Range from :
1/2" (15 mm) to
1" (25 mm)

**MV
112****AIR VENT VALVE**

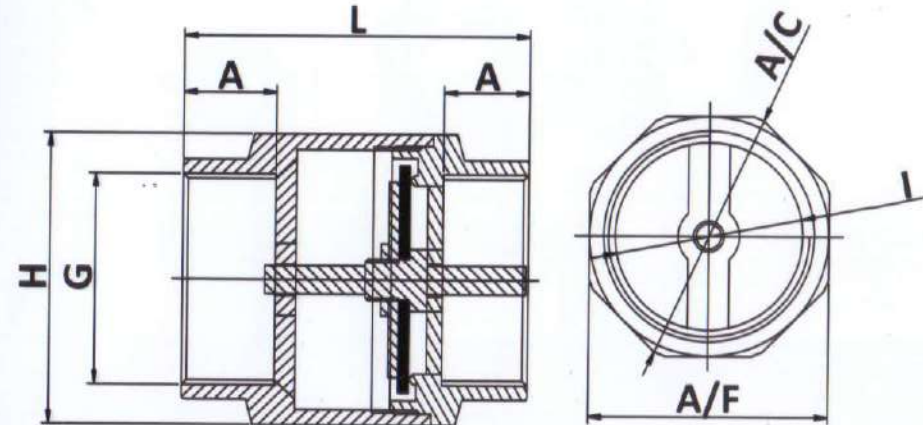
Dimensions:- (All Dimension are in mm)

SIZE	DN	A	G	L
1/2"	15	10.0	1/2"	57.0
3/4"	20	10.5	3/4"	58.5
1"	25	12.5	1"	60.0

Size Range from :
1/2" (15 mm) to
1" (25 mm)

**MV
111****BRASS CHECK VALVE
(VERTICAL)****Salient Features :**

- Screwed Female ends
- Single piece design
- Used for vertical lines only
- Permits flow in one direction and shuts automatically if the flow reverses
- Spring inside



Dimensions:- (All Dimension are in mm)

SIZE	DN	A	A/F	ØI	G	H	L	A/C
1/2"	15	11.5	24	Ø18.0	1/2"	Ø33.3	45.0	Ø25.5
3/4"	20	13.5	30	Ø20.5	3/4"	Ø35.0	51.3	Ø31.5
1"	25	15.5	35.5	Ø28.0	1"	Ø44.0	56.0	Ø37.7
1.1/4"	32	16.5	46.5	Ø35.8	1.1/4"	Ø56.3	67.0	Ø49.5
1.1/2"	40	17.5	53.5	Ø41.3	1.1/2"	Ø65.3	74.0	Ø57.3
2"	50	17.5	65.0	Ø53.0	2"	Ø80.0	79.5	Ø69.7

Size Range from :
1/2" (15 mm) to
2" (50 mm)

CONNECTIONS

A. PVC CONNECTION

Size: 18" and 24"
Material: PVC and Brass



B. FLEXIBLE SHOWER HOSE

Size: 1mtr. and 1.5mtr.
Material: SS and Brass



C. SS HOSE

Size: 12", 18", 24", 30", 36"
Material: SS and Brass



P.T.F.E. THREAD SEAL TAPE

IMAGE	MODEL	COLOUR	SIZE	PACKING
	MATRIX	WHITE	½" (10Mtr)	1000
	MATRIX	WHITE	½" (15Mtr)	1000
	AXTRIM	YELLOW	½" (10Mtr)	1000



Lets conserve water!





Marketed by:

www.matrixvalves.in